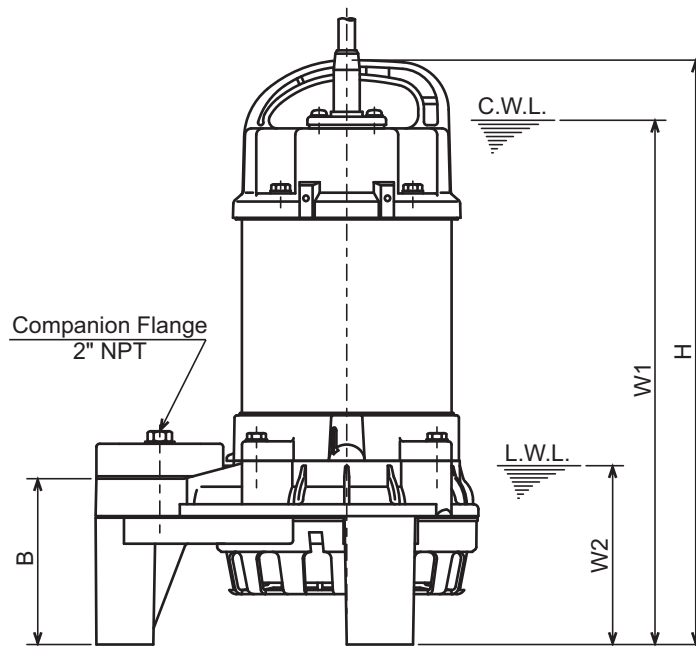
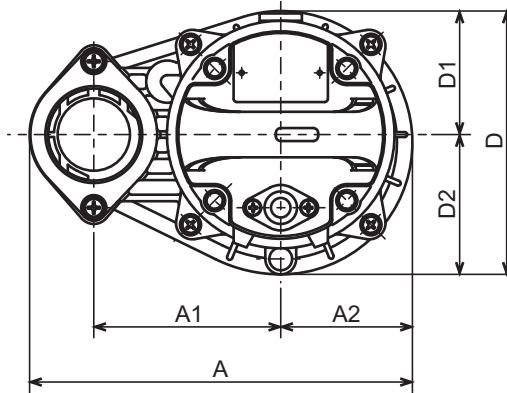




VANCS - SERIES - TM
(FRP) SEMI-VORTEX - SEAWATER PUMPS

DIMENSIONS

- 50TM2.25S-63
- 50TM2.25-63
- 50TM2.4S-63
- 50TM2.4-63
- 50TM2.75S-63
- 50TM2.75-63



C.W.L. :Continuous running Water Level
L.W.L. :Lowest running Water Level

DIMENSIONS:USCS (Inch)

Model	HP	NOM. SIZE	Pump & Motor								C.W.L. W1	L.W.L. W2	Wt. (lbs.)
			A	A1	A2	B	D	D1	D2	H			
50TM2.25S-63	1/3	2"	9 5/16	4 1/2	3 3/16	4	6 3/8	3	3 3/8	14 3/16	12 3/4	4 3/8	14.8
50TM2.25-63	1/3	2"	9 5/16	4 1/2	3 3/16	4	6 3/8	3	3 3/8	13 3/4	12 1/4	4 3/8	12.6
50TM2.4S-63	1/2	2"	9 5/16	4 1/2	3 3/16	4	6 3/8	3	3 3/8	14 3/16	12 3/4	4 3/8	14.8
50TM2.4-63	1/2	2"	9 5/16	4 1/2	3 3/16	4	6 3/8	3	3 3/8	14 3/16	12 3/4	4 3/8	14.5
50TM2.75S-63	1	2"	9 5/16	4 1/2	3 3/16	4	6 3/8	3	3 3/8	14 15/16	13 5/8	4 3/8	18.5
50TM2.75-63	1	2"	9 5/16	4 1/2	3 3/16	4	6 3/8	3	3 3/8	14 3/4	13 1/4	4 3/8	17.2

DIMENSIONS:METRIC (mm)

Model	kW	NOM. SIZE	Pump & Motor								C.W.L. W1	L.W.L. W2	Wt. (kg)
			A	A1	A2	B	D	D1	D2	H			
50TM2.25S-63	0.25	50	236	115	81	102	162	76	86	360	325	110	6.7
50TM2.25-63	0.25	50	236	115	81	102	162	76	86	349	310	110	5.7
50TM2.4S-63	0.40	50	236	115	81	102	162	76	86	360	325	110	6.7
50TM2.4-63	0.40	50	236	115	81	102	162	76	86	360	325	110	6.6
50TM2.75S-63	0.75	50	236	115	81	102	162	76	86	380	345	110	8.4
50TM2.75-63	0.75	50	236	115	81	102	162	76	86	374	335	110	7.8

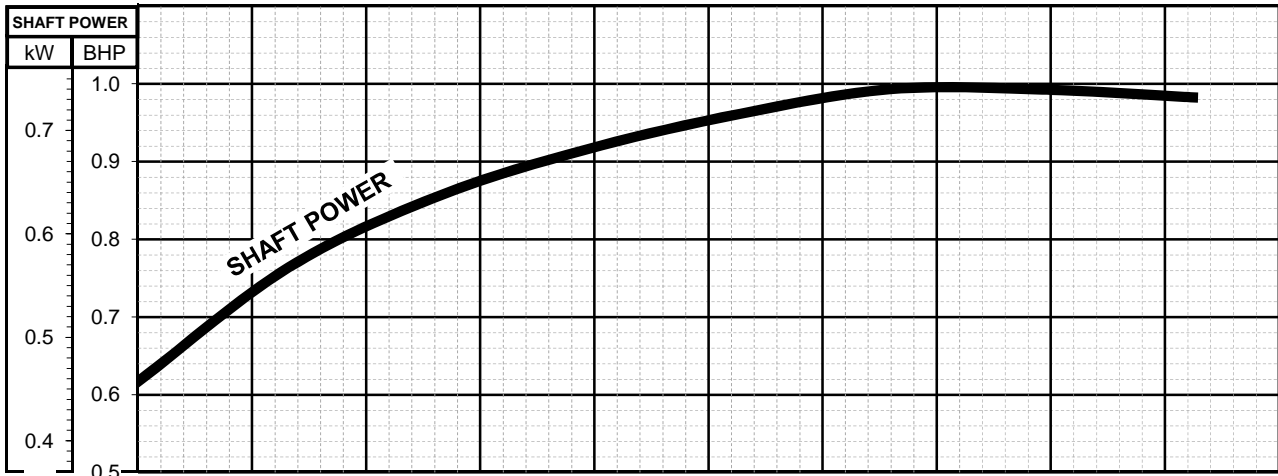
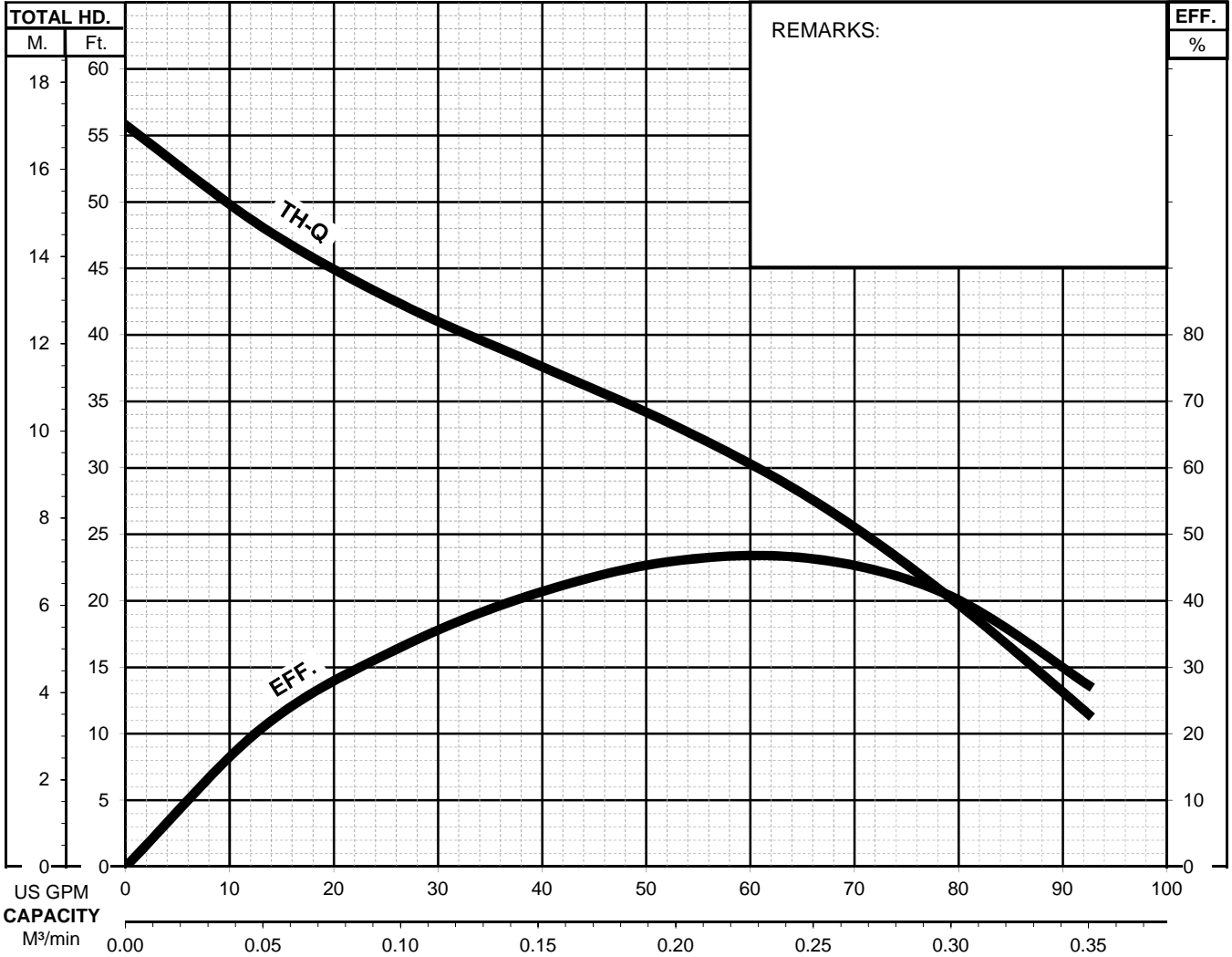


VANCS - SERIES - TM

(FRP) SEMI-VORTEX - SEAWATER PUMPS

PERFORMANCE
CURVE

MODEL		BORE	HP	KW	RPM	SOLIDS DIA.	LIQUID	SG.	VISCOSITY	TEMP.
50TM(A)2.75S-63		2"/50mm	1	0.75	3392	0.394"/10mm	Water	1.0	1.123cSt.	60°F
PUMP TYPE		PHASE	VOLTAGE		AMPERAGE		HZ	STARTING METHOD		INS. CLASS
Semi-Vortex - Seawater Pump		1	115 / 230		9.2 / 4.6		60	Capacitor-Start		E
CURVE No.	DATE	PHASE	VOLTAGE		AMPERAGE		HZ	STARTING METHOD		INS. CLASS
-	-	-	-		-		-	-		-



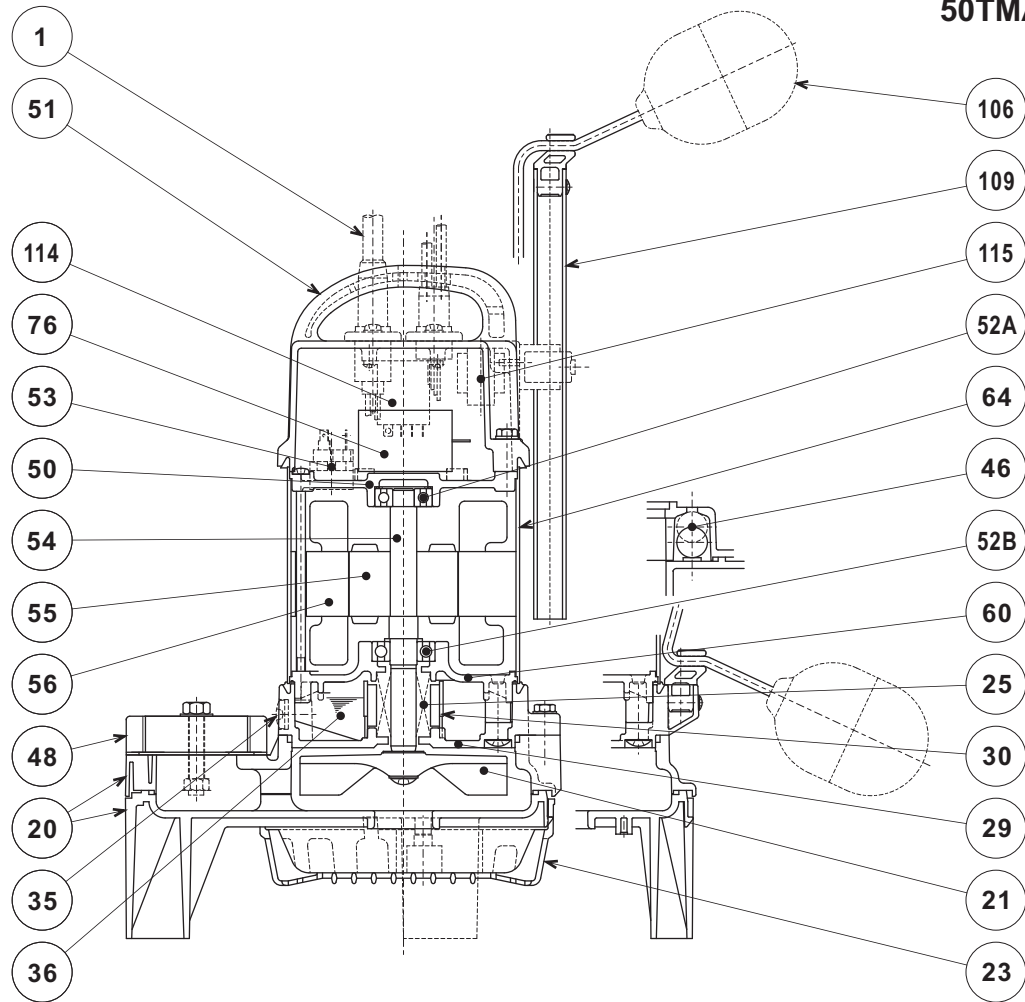


TSURUMI PUMP

**VANCS - SERIES - TM
(FRP) SEMI-VORTEX - SEAWATER PUMPS**

SECTIONAL VIEW

50TMA2.75S-63



PART#	DESCRIPTION	MAIN MATERIAL / NOTE	RELATED ASTM, AISI CODE	RELATED EN CODE	QTY
1	Power Cable	PVC Sheath AWG14/3-32ft or AWG16/3-32ft (230V)			1
20	Pump Casing	ABS Plastic w/GF20			1
21	Impeller	PPO Plastic w/GF20			1
23	Suction Strainer	ABS Plastic			1
25	Mechanical Seal	Silicon Carbide / W-14HL			1
29	Oil Casing	PPS Plastic w/GF40			1
30	Oil Lifter	PBT Plastic			1
35	Oil Plug	Titanium			1
36	Lubricant	White Mineral Oil ISO VG32			
46	Air Valve	Glass Ball			1
48	Companion Flange	PBT Plastic w/GF30 / NPT 2"			1
50	Motor Bracket	Aluminum Alloy Die Casting	B85 383.0	EN 1706 AC-46100	1
51	Motor Head Cover	PPS Plastic w/GF40			1
52A	Upper Bearing	#6201ZZC3			1
52B	Lower Bearing	#6302ZZC3			1
53	Motor Protector				1
54	Shaft	Titanium			1
55	Rotor				1
56	Stator				1
60	Bearing Housing	Aluminum Alloy Die Casting	B85 383.0	EN 1706 AC-46100	1
64	Motor Housing	Titanium			1
76	Capacitor				1
106	Float Set	ABS Plastic			2
109	Float Support Pipe	PVC			1
114	Power Relay				1
115	Transformer				1

PARTS LIST		TITANIUM WASTEWATER PUMP			2/15/2018	
ITEM	PART No.	DESCRIPTION	QTY	SIZE	MATERIAL	NOTES
1	001-006-78	Cabtyre Cable Set (32') 115V-60Hz (USA)	1	VCT3Cx2mm2(CSA 3P)	TM	
	001-004-16	Cabtyre Cable Set (32') 230V-60Hz (USA)	1	VCT3Cx1.25mm2(C EE)	TM	
2	143-000-37	Hex.Tapping Screw	2	M5x20	Titanium	
3	003-100-26	Gland	1	LB/TM	Titanium	
4	051-000-46	Head Cover	1		Resin	
5	140-000-15	Hex.Bolt (w/Plain Washer)	4	M6x30(22L)	Titanium	
6	122-004-18	O-Ring	4	P-6(5.8xd1.9)	NBR	*
7	143-085-34	Pan Screw (w/Spring Washer)	1	M4x6	C3604	
8	009-207-19	Earth Terminal	1Set	AWG16x175L(CEE)		
9	076-000-01	Capacitor 115V-60Hz(USA)	1	45MF-220VAC		
	076-000-08	Capacitor 230V-60Hz(USA)	1	12MF-440VAC		
10	053-000-08	Motor Protector 115V-60Hz(USA)	1	KA142-BDXL14F	(T+H)	
	053-000-61	Motor Protector 230V-60Hz(USA)	1	KA142-BPXL34D	(T+H)	
11	143-136-15	Truss Screw	2	M4x10	SWRM	
12	143-000-05	Pan Screw	4	M5x138(20L)	SWRM	
13	050-000-02	Motor Bracket	1		ADC	
14	121-471-17	Packing	1	d126.6xd135.6x6t	NBR	*
15	056-007-08	Stator(w/M.Frame) 115V-60Hz(USA)	1Set			
	056-007-10	Stator(w/M.Frame) 230V-60Hz(USA)	1Set			
16	071-000-01	Collar	1	37L	SECC	
17	142-192-16	Wave Washer	1	6201(D=32,t=0.4)	SK5	
18	052-100-15	Bearing	1	6201ZZC3		
19	055-002-36	Rotor	1Set	w/Bearing		
20	061-157-15	Bearing Collar	1	d15.1xd21x1.6t	SPCC	
21	052-152-12	Bearing	1	6302ZZC3		
22	060-001-37	Bearing Housing	1		ADC	
23	025-290-19	Mechanical Seal	1	W-14HL	SSiC	
24	030-000-01	Oil Lifter	1	VANCS2	Resin	
25	121-001-12	Packing	1	VANCS2	NBR	*
26	035-128-16	Oil Plug	1	M10x15	Titanium	
27	121-246-11	Packing	1	d10.3xd16x2t	PE	*
28	140-000-11	Hex.Bolt (w/Plain Washer)	4	M6x25	Titanium	
29	029-000-95	Oil Casing	1	VANCS2	Resin	
30	143-000-08	Truss Screw (w/O-Ring)	4	M6x20(P-5,NBR)	Titanium	
31	142-360-17	Impeller Fixing Washer	1	d11.2xd22.5x0.8t	Titanium	
32	021G2821	Impeller (60Hz)	1	50TM2.75S-63	Resin	
33	143-140-25	Truss Screw (w/Plain Washer)	1	M6x12	Titanium	
34	122-000-07	O-Ring	1	122xd3.0	NBR	*
35	140-000-12	Hex.Bolt (w/Plain Washer)	2	M8x45	Titanium	

* Indicates items included in set

PARTS LIST		TITANIUM WASTEWATER PUMP				2/15/2018
ITEM	PART No.	DESCRIPTION	QTY	SIZE	MATERIAL	NOTES
36	048-274-18	Screwed Flange	1	NPT-2(P.C.90)	Resin	
37	121-469-12	Packing	1	P.C.90xd58x2t	NR	*
38	020-000-07	Pump Casing	1	(40/50)TM.25/.4/.75	Resin	
39	023-000-01	Strainer	1	(40/50)PN/TM/TQ2.25/.4/.75	Resin	
40	143-000-11	Truss Tapping Screw	2	M4x18	Titanium	
	173-000-07	Packing O-Ring Set	1Set	(Marked by *)		
6	122-004-18	O-Ring (Head Cover Fixing Bolt)	4	P-6(5.8xd1.9)	NBR	*
14	121-471-17	Packing (Head Cover/M.Frame)	1	d126.6xd135.6x6t	NBR	*
25	121-001-12	Packing (M.Frame/O.Casing)	1	VANCS2	NBR	*
27	121-246-11	Packing (Oil Plug)	1	d10.3xd16x2t	PE	*
30	122-003-17	O-Ring (P.Casing Fixing Screw)	4	P-5(4.8xd1.9)	NBR	*
34	122-000-07	O-Ring (O.Casing/P.Casing)	1	122xd3.0	NBR	*
37	121-469-12	Packing (Screwed Flange)	1	P.C.90xd58x2t	NR	*
		Lubricant		Liquid Paraffin VG32 240ml		

PARTS LIST		TITANIUM WASTEWATER PUMP			2/15/2018	
ITEM	PART No.	DESCRIPTION	QTY	SIZE	MATERIAL	NOTES

EXPLODED VIEW

50TM2.75S-63 50TM2.75S-62

